



sealing solution specialist





sealing solution specialist

VISION :

To become a leading company in seals especially O-rings, Hydraulic & Pneumatics seals, also in specific products related in sealing components.

MISSION :

- Mainly focus in the oil & gas industry, petrochemical plant and other related heavy industry. We are ready to become a very good partner in stocking and delivering in all kind of various elastomer rubber seals.
- Educate everybody that seals are so important, so that improper use of seals can be very dangerous.

CONTENTS

- Standard Sizes.....2
 - AS 568A & BS 1806.....2
 - Swedish Standard SMS 1586.....2
 - Japanese Standard JIS B2401.....3
 - French Standard R.....3
 - ISO 3601-1 Series A & G, DIN 3771.....4
 - British Standard Metric BS 4518.....4
- Tolerances.....2
- Example Order.....4
- O-Ring Kits.....5
- O-Ring Compounds.....6
 - Parker O-Ring Compounds.....6
 - dSeal O-Ring Compounds.....6
- O-Ring Material Data Reports7
- Compound Specifications.....8
 - AMS & NAS Rubber Specifications.....8
 - Underwriters Laboratories Approved Services.....8
 - Military Rubber Specifications.....8
- Parbak Back-up Ring.....9
 - Parbak Sizes.....9
 - Parbak Compounds.....9
- dSeal Round Cord.....10
 - Round Cord Sizes & Tolerances.....10
 - Round Cord Compounds.....10
- Accessories.....10



WARNING

Failure, improper selection or improper use of the products and/or systems described herein or related items can cause death, personal injury or property damage.

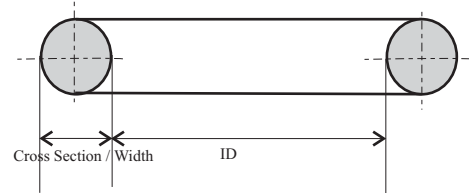
O-RING STANDARD SIZES

AS 568A & BS 1806



W = 1.78 mm		W = 2.62 mm		W = 3.53 mm		W = 5.33 mm		W = 6.99 mm	
Part No.	ID mm	Part No.	ID mm	Part No.	ID mm	Part No.	ID mm	Part No.	ID mm
2-001*	0.74	2-102	1.24	2-201	4.34	2-309	10.46	2-425	113.67
2-002*	1.07	2-103	2.06	2-202	5.94	2-310	12.07	2-426	116.84
2-003*	1.42	2-104	2.84	2-203	7.52	2-311	13.64	2-427	120.02
2-004	1.78	2-105	3.63	2-204	9.12	2-312	15.24	2-428	123.19
2-005	2.57	2-106	4.42	2-205	10.69	2-313	16.81	2-429	126.37
2-006	2.90	2-107	5.23	2-206	12.29	2-314	18.42	2-430	129.54
2-007	3.68	2-108	6.02	2-207	13.87	2-315	19.99	2-431	132.72
2-008	4.47	2-109	7.59	2-208	15.47	2-316	21.59	2-432	135.89
2-009	5.28	2-110	9.19	2-209	17.04	2-317	23.16	2-433	139.07
2-010	6.07	2-111	10.77	2-210	18.64	2-318	24.77	2-434	142.24
2-011	7.65	2-112	12.37	2-211	20.22	2-319	26.34	2-435	145.42
2-012	9.25	2-113	13.94	2-212	21.82	2-320	27.94	2-436	148.59
2-013	10.82	2-114	15.54	2-213	23.39	2-321	29.51	2-437	151.77
2-014	12.42	2-115	17.12	2-214	24.99	2-322	31.12	2-438	158.12
2-015	14.00	2-116	18.72	2-215	26.57	2-323	32.69	2-439	164.47
2-016	15.60	2-117	20.29	2-216	28.17	2-324	34.29	2-440	170.82
2-017	17.17	2-118	21.89	2-217	29.74	2-325	37.47	2-441	177.17
2-018	18.77	2-119	23.47	2-218	31.34	2-326	40.64	2-442	183.52
2-019	20.35	2-120	25.07	2-219	32.92	2-327	43.82	2-443	189.87
2-020	21.95	2-121	26.64	2-220	34.52	2-328	46.99	2-444	196.22
2-021	23.52	2-122	28.24	2-221	36.09	2-329	50.17	2-445	202.57
2-022	25.12	2-123	29.82	2-222	37.69	2-330	53.34	2-445A	208.92
2-023	26.70	2-124	31.42	2-223	40.87	2-331	56.52	2-446	215.27
2-024	28.30	2-125	32.99	2-224	44.04	2-332	59.69	2-446A	221.62
2-025	29.87	2-126	34.59	2-225	47.22	2-333	62.87	2-447	227.97
2-026	31.47	2-127	36.17	2-226	50.39	2-334	66.04	2.447A	234.32
2-027	33.05	2-128	37.77	2-227	53.57	2-335	69.22	2-448	240.67
2-028	34.65	2-129	39.34	2-228	56.74	2-336	72.39	2.448A	247.00
2-029	37.82	2-130	40.94	2-229	59.92	2-337	75.57	2-449	253.37
2-030	41.00	2-131	42.52	2-230	63.09	2-338	78.74	2-449A	266.07
2-031	44.17	2-132	44.12	2-231	66.27	2-339	81.92	2-450	266.07
2-032	47.35	2-133	45.69	2-232	69.44	2-340	85.09	2-450A	272.40
2-033	50.52	2-134	47.29	2-233	72.62	2-341	88.27	2-451	278.77
2-034	53.70	2-135	48.90	2-234	75.79	2-342	91.44	2-451A	285.10
2-035	56.87	2-136	50.47	2-235	78.97	2-343	94.62	2-452	291.47
2-036	60.05	2-137	52.07	2-236	82.14	2-344	97.79	2.452A	297.80
2-037	63.22	2-138	53.64	2-237	85.32	2-345	100.97	2-453	304.17
2-038	66.40	2-139	55.25	2-238	88.49	2-346	104.14	2-454	316.87
2-039	69.57	2-140	56.82	2-239	91.67	2-347	107.32	2-455	329.57
2-040	72.75	2-141	58.42	2-240	94.84	2-348	110.49	2-456	342.27
2-041	75.92	2-142	59.99	2-241	98.02	2-349	113.67	2-457	354.97
2-042	82.27	2-143	61.60	2-242	101.19	2-350	116.84	2-458	367.67
2-043	88.62	2-144	63.17	2-243	104.37	2-351	120.02	2-459	380.37
2-044	94.97	2-145	64.77	2-244	107.54	2-352	123.19	2-460	393.07
2-045	101.32	2-146	66.34	2-245	110.72	2-353	126.37	2-461	405.26
2-046	107.67	2-147	67.95	2-246	113.89	2-354	129.54	2-462	417.96
2-047	114.02	2-148	69.52	2-247	117.07	2-355	132.72	2-463	430.66
2-048	120.37	2-149	71.12	2-248	120.24	2-356	135.89	2-464	443.36
2-049	126.72	2-150	72.69	2-249	123.42	2-357	139.07	2-465	456.06
2-050	133.07	2-151	75.87	2-250	126.59	2-358	142.24	2-466	468.76
		2-152	82.22	2-251	129.77	2-359	145.42	2-467	481.46
		2-153	88.57	2-252	132.94	2-360	148.59	2-468	494.16
		2-154	94.92	2-253	136.12	2-361	151.77	2-469	506.86
		2-155	101.27	2-254	139.29	2-362	158.12	2-470	532.26
		2-156	107.62	2-255	142.47	2-363	164.47	2-471	557.66
		2-157	113.97	2-256	145.64	2-364	170.82	2-472	582.68
		2-158	120.32	2-257	148.82	2-365	177.17	2-473	608.08
		2-159	126.67	2-258	151.99	2-366	183.52	2-474	633.48
		2-160	133.02	2-259	158.34	2-367	189.87	2-475	658.88
		2-161	139.37	2-260	164.69	2-368	196.22		
		2-162	145.72	2-261	171.04	2-369	202.57		
		2-163	152.07	2-262	177.39	2-370	208.92		
		2-164	158.42	2-263	183.74	2-371	215.27		
		2-165	164.77	2-264	190.09	2-372	221.62		
		2-166	171.12	2-265	196.44	2-373	227.97		
		2-167	177.47	2-266	202.79	2-374	234.32		
		2-168	183.82	2-267	209.14	2-375	240.67		
		2-169	190.17	2-268	215.49	2-376	247.02		
		2-170	196.52	2-269	221.84	2-377	253.37		
		2-171	202.87	2-270	228.19	2-378	266.07		
		2-172	209.22	2-271	234.54	2-379	278.77		
		2-173	215.57	2-272	240.89	2-380	291.47		
		2-174	221.92	2-273	247.24	2-381	304.17		
		2-175	228.27	2-274	253.59	2-382	329.57		
		2-176	234.62	2-275	266.29	2-383	354.97		
		2-177	240.97	2-276	278.99	2-384	380.37		
		2-178	247.32	2-277	291.69	2-385	405.26		
				2-278	304.39	2-386	430.66		
				2-279	329.79	2-387	456.06		
				2-280	355.19	2-388	481.41		
				2-281	380.59	2-389	506.81		
				2-282	405.26	2-390	532.21		
				2-283	430.66	2-391	557.61		
				2-284	456.06	2-392	582.68		
						2-393	608.08		
						2-394	633.48		
						2-395	658.88		

Note (*):
 W at 2-001 = 1.02 mm
 W at 2-002 = 1.27 mm
 W at 2-003 = 1.52 mm
Bold : only for BS1806



SWEDISH STANDARD SMS 1586



W = 1.6 mm		W = 3 mm		W = 5.7 mm		W = 8.4 mm	
Part No.	ID (mm)	Part No.	ID (mm)	Part No.	ID (mm)	Part No.	ID (mm)
ID671	3.10	ID710	19.20	ID741	44.20	ID793	144.10
ID672	4.10	ID711	22.20	ID742	49.20	ID794	149.10
ID673	5.10	ID712	24.20	ID743	54.20	ID795	154.10
ID674	6.10	ID713	26.20	ID744	59.20	ID796	159.10
ID675	7.10	ID714	29.20	ID745	64.20	ID797	164.10
ID676	8.10	ID715	32.20	ID746	69.20	ID798	169.10
ID677	9.10	ID716	34.20	ID747	74.20	ID799	174.10
ID678	10.10	ID717	36.20	ID748	79.20	ID800	179.10
ID679	11.10	ID718	39.20	ID749	84.10	ID801	184.10
ID680	12.10	ID719	42.30	ID750	89.10	ID802	189.10
ID681	13.10	ID720	44.20	ID751	94.10	ID803	194.10
ID682	14.10	ID721	49.20	ID752	99.10	ID804	199.10
ID683	15.10	ID722	54.20	ID753	104.10	ID805	209.10
ID684	16.10	ID723	59.20	ID754	109.10	ID806	219.10
ID685	17.10	ID724	64.50	ID755	114.30	ID807	229.10
ID686	18.10	ID725	69.50	ID756	119.30	ID808	239.10
ID687	19.10	ID726	74.50	ID757	124.30	ID809	249.10
ID688	22.10	ID727	79.50	ID758	129.30		
ID689	25.10	ID728	84.50	ID759	134.30		
ID690	27.10	ID729	89.50	ID760	139.30		
ID691	29.10	ID730	94.50	ID761	144.30		
ID692	32.10	ID731	99.50	ID762	149.30		
ID693	35.10	ID732	104.50	ID763	154.30		
ID694	37.10	ID733	109.50	ID764	159.30		
		ID734	114.50	ID765	164.30		
		ID735	119.50	ID766	169.30		
		ID736	124.50	ID767	174.30		
		ID737	129.50	ID768	179.30		
		ID738	134.50	ID769	184.30		
		ID739	139.50	ID770	189.30		
		ID740	144.50	ID771	194.30		
				ID772	199.30		
				ID773	209.30		
				ID774	219.30		
				ID775	229.30		
				ID776	239.30		
				ID777	249.30		
				ID778	259.30		
				ID779	269.30		
				ID780	279.30		
				ID781	289.30		
				ID782	299.30		
				ID783	319.30		
				ID784	339.30		
				ID785	359.30		
				ID786	379.30		
				ID787	399.30		
				ID788	419.30		
				ID789	439.30		
				ID790	459.3		

O-RING STANDARD SIZES
JAPANESE STANDARD JIS B2401



Part No.	W (mm)	ID (mm)	Part No.	W (mm)	ID (mm)	Part No.	W (mm)	ID (mm)	Part No.	W (mm)	ID (mm)
P 3	1.9 ± 0.08	2.80 ± 0.14	P 48A	5.7 ± 0.13	47.60 ± 0.45	P 225	8.4 ± 0.15	224.50 ± 1.71	G 150	5.7 ± 0.13	149.30 ± 1.19
P 4		3.80 ± 0.14	P 50A		49.60 ± 0.45	P 230		229.50 ± 1.75	G 155		154.30 ± 1.23
P 5		4.80 ± 0.15	P 52		51.60 ± 0.47	P 235		234.50 ± 1.78	G 160		159.30 ± 1.26
P 6		5.80 ± 0.15	P 53		52.60 ± 0.48	P 240		239.50 ± 1.81	G 165		164.30 ± 1.30
P 7		6.80 ± 0.16	P 55		54.60 ± 0.49	P 245		244.50 ± 1.84	G 170		169.30 ± 1.33
P 8		7.80 ± 0.16	P 56		55.60 ± 0.50	P 250		249.50 ± 1.88	G 175		174.30 ± 1.37
P 9		8.80 ± 0.17	P 58		57.60 ± 0.52	P 255		254.50 ± 1.91	G 180		179.30 ± 1.40
P 10		9.80 ± 0.17	P 60		59.60 ± 0.53	P 260		259.50 ± 1.94	G 185		184.30 ± 1.44
P 10A		9.80 ± 0.17	P 62		61.60 ± 0.55	P 265		264.50 ± 1.97	G 190		189.30 ± 1.47
P 11		10.80 ± 0.18	P 63		62.60 ± 0.56	P 270		269.50 ± 2.01	G 195		194.30 ± 1.51
P 11.2	11.00 ± 0.18	P 65	64.60 ± 0.57	P 275	274.50 ± 2.04	G 200	199.30 ± 1.55				
P 12	11.80 ± 0.19	P 67	66.60 ± 0.59	P 280	279.50 ± 2.07	G 205	204.30 ± 1.58				
P 12.5	12.30 ± 0.19	P 70	69.60 ± 0.61	P 285	284.50 ± 2.10	G 210	209.30 ± 1.61				
P 14	13.80 ± 0.19	P 71	70.60 ± 0.62	P 290	289.50 ± 2.14	G 215	214.30 ± 1.64				
P 15	14.80 ± 0.20	P 75	74.60 ± 0.65	P 295	294.50 ± 2.17	G 220	219.30 ± 1.68				
P 16	15.80 ± 0.20	P 80	79.60 ± 0.69	P 300	299.50 ± 2.20	G 225	224.30 ± 1.71				
P 18	17.80 ± 0.21	P 85	84.60 ± 0.73	P 315	314.50 ± 2.30	G 230	229.30 ± 1.73				
P 20	19.80 ± 0.22	P 90	89.60 ± 0.77	P 320	319.50 ± 2.33	G 235	234.30 ± 1.77				
P 21	20.80 ± 0.23	P 95	94.60 ± 0.81	P 335	334.50 ± 2.42	G 240	239.30 ± 1.81				
P 22	21.80 ± 0.24	P 100	99.60 ± 0.84	P 340	339.50 ± 2.45	G 245	244.30 ± 1.84				
P 22A	21.70 ± 0.24	P 102	101.60 ± 0.85	P 355	354.50 ± 2.54	G 250	249.30 ± 1.88				
P 22.4	22.10 ± 0.24	P 105	104.60 ± 0.87	P 360	359.50 ± 2.57	G 255	254.30 ± 1.91				
P 24	23.70 ± 0.24	P 110	109.60 ± 0.91	P 375	374.50 ± 2.67	G 260	259.30 ± 1.94				
P 25	24.70 ± 0.25	P 112	111.60 ± 0.92	P 385	384.50 ± 2.73	G 265	264.30 ± 1.97				
P 25.5	25.20 ± 0.25	P 115	114.60 ± 0.94	P 400	399.50 ± 2.82	G 270	269.30 ± 2.01				
P 26	25.70 ± 0.26	P 120	119.60 ± 0.98	G 25	24.40 ± 0.25	G 275	274.30 ± 2.04				
P 28	27.70 ± 0.28	P 125	124.60 ± 1.01	G 30	29.40 ± 0.29	G 280	279.30 ± 2.07				
P 29	28.70 ± 0.29	P 130	129.60 ± 1.05	G 35	34.40 ± 0.33	G 285	284.30 ± 2.10				
P 29.5	29.20 ± 0.29	P 132	131.60 ± 1.06	G 40	39.40 ± 0.37	G 290	289.30 ± 2.14				
P 30	29.70 ± 0.29	P 135	134.60 ± 1.09	G 45	44.40 ± 0.41	G 295	294.30 ± 2.17				
P 31	30.70 ± 0.30	P 140	139.60 ± 1.12	G 50	49.40 ± 0.45	G 300	299.30 ± 2.20				
P 31.5	31.20 ± 0.31	P 145	144.60 ± 1.16	G 55	54.40 ± 0.49	G 305	304.30 ± 2.24				
P 32	31.70 ± 0.31	P 150	149.60 ± 1.19	G 60	59.40 ± 0.53	G 310	309.30 ± 2.27				
P 34	33.70 ± 0.33	P 150A	149.50 ± 1.19	G 65	64.40 ± 0.57	G 315	314.30 ± 2.30				
P 35	34.70 ± 0.34	P 155	154.50 ± 1.23	G 70	69.40 ± 0.61	G 320	319.30 ± 2.33				
P 35.5	35.20 ± 0.34	P 160	159.50 ± 1.26	G 75	74.40 ± 0.65	G 325	324.30 ± 2.36				
P 36	35.70 ± 0.34	P 165	164.50 ± 1.30	G 80	79.40 ± 0.69	G 330	329.30 ± 2.39				
P 38	37.70 ± 0.37	P 170	169.50 ± 1.33	G 85	84.40 ± 0.73	G 335	334.30 ± 2.42				
P 39	38.70 ± 0.37	P 175	174.50 ± 1.37	G 90	89.40 ± 0.77	G 340	339.30 ± 2.45				
P 40	39.70 ± 0.37	P 180	179.50 ± 1.40	G 95	94.40 ± 0.81	G 345	344.30 ± 2.48				
P 41	40.70 ± 0.38	P 185	184.50 ± 1.44	G 100	99.40 ± 0.85	G 350	349.30 ± 2.51				
P 42	41.70 ± 0.39	P 190	189.50 ± 1.48	G 105	104.40 ± 0.87	G 355	354.30 ± 2.54				
P 44	43.70 ± 0.41	P 195	194.50 ± 1.51	G 110	109.40 ± 0.91	G 360	359.30 ± 2.57				
P 45	44.70 ± 0.41	P 200	199.50 ± 1.55	G 115	114.40 ± 0.94	G 365	364.30 ± 2.60				
P 46	45.70 ± 0.42	P 205	204.50 ± 1.58	G 120	119.40 ± 0.98	G 370	369.30 ± 2.63				
P 48	47.70 ± 0.44	P 209	208.50 ± 1.61	G 125	124.40 ± 1.01	G 375	374.30 ± 2.67				
P 49	48.70 ± 0.45	P 210	209.50 ± 1.62	G 130	129.40 ± 1.05	G 380	379.30 ± 2.70				
P 50	49.70 ± 0.45	P 215	214.50 ± 1.65	G 135	134.40 ± 1.08	G 385	384.30 ± 2.73				
		P 220	219.50 ± 1.68	G 140	139.40 ± 1.12	G 390	389.30 ± 2.76				
				G 145	144.40 ± 1.16	G 395	394.30 ± 2.79				
						G 400	399.30 ± 2.82				

FRENCH STANDARD R



Part No.	W (mm)	ID (mm)	Part No.	W (mm)	ID (mm)	Part No.	W (mm)	ID (mm)	Part No.	W (mm)	ID (mm)	Part No.	W (mm)	ID (mm)	Part No.	W (mm)	ID (mm)	Part No.	W (mm)	ID (mm)	
R0	1.90	2.40	R11	2.70	13.60	R24	3.60	32.50	R37	5.33	66.04	R50	6.99	107.32	R63	6.99	145.42	R76	6.99	240.67	
R1		2.60	R12		15.10	R25		34.10	R38		69.22	R51		5.33	110.49		R64	148.60		R77	253.37
R2		3.40	R13		16.90	R26		35.60	R39		72.40	R52		6.99	113.67		R65	151.77		R78	266.07
R3		4.20	R14		18.40	R27		37.30	R40		75.57	R53			113.67		R66	158.12		R79	278.77
R4		4.90	R15		18.30	R28		37.47	R41		78.74	R54		116.84	R67		164.47	R80		291.47	
R5		5.70	R16		19.80	R29		40.65	R42		81.92	R55		120.02	R68		170.82	R81		304.17	
R5a		6.40	R17		21.30	R30		43.82	R43		85.09	R56		123.20	R69		177.17	R82		316.87	
R6		7.20	R18		23.00	R31		47.00	R44		88.27	R57		126.37	R70		183.52	R83		329.57	
R6a		8.00	R19		24.60	R32		50.16	R45		91.44	R58		129.54	R71		189.87	R84		342.27	
R7		8.90	R20		26.20	R33		53.34	R46		94.62	R59		132.72	R72		196.22	R85		354.97	
R8	8.90	R21	27.80	R34	56.52	R47	97.80	R60	135.90	R73	202.57	R86	367.67								
R9	2.70	R22	29.30	R35	59.70	R48	100.97	R61	139.07	R74	215.27	R87	380.37								
R10	12.10	R23	30.80	R36	62.87	R49	104.14	R62	142.24	R75	227.97	R88	393.07								

Example Order:

1. **Precision O-rings**
ID = 14 mm, W = 1.78 mm, Compound = N674-70
Order: O-ring 2-015 N674-70

2. **Standard Precision O-rings**
ID = 12.5 mm, W = 1.8 mm, Compound = dNB1-70
Order: O-ring Id032 dNB1-70

O-RING STANDARD SIZES
ISO 3601-1 SERIES A & G, DIN 3771



W = 1.8 mm				W = 2.65 mm				W = 3.55 mm				W = 5.3 mm				W = 7 mm			
Part No.	ID (mm)	Part No.	ID (mm)	Part No.	ID (mm)	Part No.	ID (mm)	Part No.	ID (mm)	Part No.	ID (mm)	Part No.	ID (mm)	Part No.	ID (mm)	Part No.	ID (mm)	Part No.	ID (mm)
ID001	1.80	<i>ID049</i>	31.5	<i>ID080</i>	4.5	<i>ID128</i>	56.0	<i>ID162</i>	14.0	ID210	82.5	<i>ID257</i>	37.5	ID305	150	ID340	109	<i>ID388</i>	437
ID002	2.00	<i>ID050</i>	32.5	<i>ID081</i>	5.3	<i>ID129</i>	58.0	<i>ID163</i>	15.0	ID211	85.0	<i>ID258</i>	38.7	ID306	155	ID341	112	<i>ID389</i>	450
ID003	2.24	<i>ID051</i>	33.5	<i>ID082</i>	6.0	<i>ID130</i>	60.0	<i>ID164</i>	16.0	ID212	87.5	ID259	40.0	ID307	160	ID342	115	<i>ID390</i>	462
ID004	2.50	<i>ID052</i>	34.5	<i>ID083</i>	6.9	<i>ID131</i>	61.5	<i>ID165</i>	17.0	ID213	90.0	ID260	41.2	ID308	165	ID343	118	<i>ID391</i>	475
ID005	2.80	<i>ID053</i>	35.5	<i>ID084</i>	8.0	<i>ID132</i>	63.0	ID166	18.0	ID214	92.5	ID261	42.5	ID309	170	ID344	122	<i>ID392</i>	487
ID006	3.15	<i>ID054</i>	36.5	<i>ID085</i>	9.0	<i>ID133</i>	65.0	ID167	19.0	ID215	95.0	ID262	43.7	ID310	175	ID345	125	<i>ID393</i>	500
ID007	3.55	<i>ID055</i>	37.5	<i>ID086</i>	9.5	<i>ID134</i>	67.0	ID168	20.0	ID216	97.5	ID263	45.0	ID311	180	ID346	128	<i>ID394</i>	515
ID008	3.75	<i>ID056</i>	38.7	<i>ID087</i>	10.0	<i>ID135</i>	69.0	ID169	21.2	ID217	100.0	ID264	46.2	ID312	185	ID347	132	<i>ID395</i>	530
ID009	4.00	<i>ID057</i>	40.0	<i>ID088</i>	10.6	<i>ID136</i>	71.0	ID170	22.4	ID218	103.0	ID265	47.5	ID313	190	ID348	136	<i>ID396</i>	545
ID010	4.50	<i>ID058</i>	41.2	<i>ID089</i>	11.2	<i>ID137</i>	73.0	ID171	23.6	ID219	106.0	ID266	48.7	ID314	195	ID349	140	<i>ID397</i>	560
ID011	4.87	<i>ID059</i>	42.5	<i>ID090</i>	11.8	<i>ID138</i>	75.0	ID172	25.0	ID220	109.0	ID267	50.0	ID315	200	ID350	145	<i>ID398</i>	580
ID012	5.00	<i>ID060</i>	43.7	<i>ID091</i>	12.5	<i>ID139</i>	80.0	ID173	25.8	ID221	112.0	ID268	51.5	ID316	206	ID351	150	<i>ID399</i>	600
ID013	5.15	<i>ID061</i>	45.0	<i>ID092</i>	13.2	<i>ID140</i>	85.0	ID174	26.5	ID222	115.0	ID269	53.0	ID317	212	ID352	155	<i>ID400</i>	615
ID014	5.30	<i>ID062</i>	47.5	ID093	14.0	<i>ID141</i>	90.0	ID175	28.0	ID223	118.0	ID270	54.5	ID318	218	ID353	160	<i>ID401</i>	630
ID015	5.60	<i>ID063</i>	50.0	ID094	15.0	<i>ID142</i>	95.0	ID176	30.0	ID224	122.0	ID271	56.0	ID319	224	ID354	165	<i>ID402</i>	650
ID016	6.00	<i>ID064</i>	53.0	ID095	16.0	<i>ID143</i>	100.0	ID177	31.5	ID225	125.0	ID272	58.0	ID320	230	ID355	170	<i>ID403</i>	670
ID017	6.30	<i>ID065</i>	56.0	ID096	17.0	<i>ID144</i>	106.0	ID178	32.5	ID226	128.0	ID273	60.0	ID321	236	ID356	175		
ID018	6.70	<i>ID066</i>	60.0	ID097	18.0	<i>ID145</i>	112.0	ID179	33.5	ID227	132.0	ID274	61.5	ID322	243	ID357	180		
ID019	6.90	<i>ID067</i>	63.0	ID098	19.0	<i>ID146</i>	118.0	ID180	34.5	ID228	136.0	ID275	63.0	ID323	250	ID358	185		
ID020	7.10	<i>ID068</i>	67.0	ID099	20.0	<i>ID147</i>	125.0	ID181	35.5	ID229	140.0	ID276	65.0	ID324	258	ID359	190		
ID021	7.50	<i>ID069</i>	71.0	ID100	21.2	<i>ID148</i>	132.0	ID182	36.5	ID230	145.0	ID277	67.0	ID325	265	ID360	195		
ID022	8.00	<i>ID070</i>	75.0	ID101	22.4	<i>ID149</i>	140.0	ID183	37.5	ID231	150.0	ID278	69.0	ID326	272	ID361	200		
ID023	8.50	<i>ID071</i>	80.0	ID102	23.6	<i>ID150</i>	150.0	ID184	38.7	ID232	155.0	ID279	71.0	ID327	280	ID362	206		
ID024	8.75	<i>ID072</i>	85.0	ID103	25.0	<i>ID151</i>	160.0	ID185	40.0	ID233	160.0	ID280	73.0	ID328	290	ID363	212		
ID025	8.76	<i>ID073</i>	90.0	ID104	25.8	<i>ID152</i>	170.0	ID186	41.2	ID234	165.0	ID281	75.0	ID329	300	ID364	218		
ID026	9.00	<i>ID074</i>	95.0	ID105	26.5	<i>ID153</i>	180.0	ID187	42.5	ID235	170.0	ID282	77.5	ID330	307	ID365	224		
ID027	9.50	<i>ID075</i>	100.0	ID106	28.0	<i>ID154</i>	190.0	ID188	43.7	ID236	175.0	ID283	80.0	ID331	315	ID366	230		
ID028	10.00	<i>ID076</i>	106.0	ID107	30.0	<i>ID155</i>	200.0	ID189	45.0	ID237	180.0	ID284	82.5	ID332	325	ID367	236		
ID029	10.60	<i>ID077</i>	112.0	ID108	31.5	<i>ID156</i>	212.0	ID190	46.2	ID238	185.0	ID285	85.0	ID333	335	ID368	243		
ID030	11.20	<i>ID078</i>	118.0	ID109	32.5	<i>ID157</i>	224.0	ID191	47.5	ID239	190.0	ID286	87.5	ID334	345	ID369	250		
ID031	11.80	<i>ID079</i>	125.0	ID110	33.5	<i>ID158</i>	230.0	ID192	48.7	ID240	195.0	ID287	90.0	ID335	355	ID370	258		
ID032	12.50			ID111	34.5	<i>ID159</i>	236.0	ID193	50.0	ID241	200.0	ID288	92.5	ID336	365	ID371	265		
ID033	13.20			ID112	35.5	<i>ID160</i>	243.0	ID194	51.5	<i>ID242</i>	212.0	ID289	95.0	ID337	375	ID372	272		
ID034	14.00			ID113	36.5	<i>ID161</i>	250.0	ID195	53.0	<i>ID243</i>	218.0	ID290	97.5	ID338	387	ID373	280		
ID035	15.00			ID114	37.5			ID196	54.5	<i>ID244</i>	224.0	ID291	100.0	ID339	400	ID374	290		
ID036	16.00			ID115	38.7			ID197	56.0	<i>ID245</i>	230.0	ID292	103.0			ID375	300		
ID037	17.00			<i>ID116</i>	40.0			ID198	58.0	<i>ID246</i>	236.0	ID293	106.0			ID376	307		
<i>ID038</i>	18.00			<i>ID117</i>	41.2			ID199	60.0	<i>ID247</i>	250.0	ID294	109.0			ID377	315		
<i>ID039</i>	19.00			<i>ID118</i>	42.5			ID200	61.5	<i>ID248</i>	258.0	ID295	112.0			ID378	325		
<i>ID040</i>	20.00			<i>ID119</i>	43.7			ID201	63.0	<i>ID249</i>	265.0	ID296	115.0			ID379	335		
<i>ID041</i>	21.20			<i>ID120</i>	45.0			ID202	65.0	<i>ID250</i>	280.0	ID297	118.0			ID380	345		
<i>ID042</i>	22.40			<i>ID121</i>	46.2			ID203	67.0	<i>ID251</i>	290.0	ID298	122.0			ID381	355		
<i>ID043</i>	23.60			<i>ID122</i>	47.5			ID204	69.0	<i>ID252</i>	300.0	ID299	125.0			ID382	365		
<i>ID044</i>	25.00			<i>ID123</i>	48.7			ID205	71.0	<i>ID253</i>	307.0	ID300	128.0			ID383	375		
<i>ID045</i>	25.80			<i>ID124</i>	50.0			ID206	73.0	<i>ID254</i>	315.0	ID301	132.0			ID384	387		
<i>ID046</i>	26.50			<i>ID125</i>	51.5			ID207	75.0	<i>ID255</i>	335.0	ID302	136.0			ID385	400		
<i>ID047</i>	28.00			<i>ID126</i>	53.0			ID208	77.5	<i>ID256</i>	355.0	ID303	140.0			ID386	412		
<i>ID048</i>	30.00			<i>ID127</i>	54.5			ID209	80.0			ID304	145.0			ID387	425		

Black : DIN 3771, ISO Series A & G Grey : ISO series A & G only Italic : DIN 3771 only Italic Bold : ISO series A only Bold : DIN 3771 & ISO SERIES G only

BRITISH STANDARD METRIC BS 4518



W = 1.6 mm		W = 2.4 mm		W = 3 mm		W = 4.1 mm		W = 5.7 mm		W = 8.4 mm											
Part No.	ID (mm)	Part No.	ID (mm)	Part No.	ID (mm)	Part No.	ID (mm)	Part No.	ID (mm)	Part No.	ID (mm)										
ID404	3.10	ID428	3.60	ID457	45.60	ID471	19.50	ID500	89.50	ID529	29.40	ID558	109.40	ID587	259.40	ID593	44.30	ID622	169.30	ID652	144.10
ID405	4.10	ID429	4.60	ID458	47.60	ID472	21.50	ID501	94.50	ID530	31.40	ID559	114.40	ID588	269.40	ID594	45.30	ID623	174.30	ID653	149.10
ID406	5.10	ID430	5.60	ID459	49.60	ID473	22.50	ID502	99.50	ID531	32.40	ID560	117.40	ID589	272.40	ID595	49.30	ID624	179.30	ID654	154.10
ID407	6.10	ID431	6.60	ID460	51.60	ID474	24.50	ID503	104.50	ID532	34.40	ID561	119.40	ID590	279.40	ID596	52.30	ID625	184.30	ID655	159.10
ID408	7.10	ID432	7.60	ID461	54.60	ID475	25.50	ID504	109.50	ID533	35.40	ID562	124.40	ID591	289.40	ID597	54.30	ID626	189.30	ID656	164.10
ID409	8.10	ID433	8.60	ID462	55.60	ID476	26.50	ID505	114.50	ID534	36.40	ID563	129.40	ID592	299.40	ID598	55.30	ID627	194.30	ID657	169.10
ID410	9.10	ID434	9.60	ID463	57.60	ID477	27.50	ID506	119.50	ID535	37.40	ID564	134.40			ID599	59.30	ID628	199.30	ID658	174.10
ID411	10.10	ID435	10.60	ID464	58.60	ID478	29.50	ID507	124.50	ID536	39.40	ID565	139.40			ID600	62.30	ID629	209.30	ID659	179.10
ID412	11.10	ID436	11.60	ID465	59.60	ID479	31.50	ID508	129.50	ID537	41.40	ID566	144.40			ID601	64.30	ID630	219.30	ID660	184.10
ID413	12.10	ID437	12.60	ID466	61.60	ID480	32.50	ID509	134.50	ID538	42.40	ID567	149.40			ID602	69.30	ID631	229.30	ID661	189.10
ID414	13.10	ID438	13.60	ID467	62.60	ID481	34.50	ID510	139.50	ID539	44.40	ID568	152.40			ID603	74.30	ID632	239.30	ID662	194.10
ID415	14.10	ID439	14.60	ID468	64.60	ID482	35.50	ID511	144.50	ID540	45.40	ID569	154.40			ID604	79.30	ID633	249.30	ID663	199.10
ID416	15.10	ID440	15.60	ID469	67.60	ID483	36.50	ID512	149.50	ID541	49.40	ID570	159.40			ID605	84.30	ID634	259.30	ID664	204.10
ID417	16.10	ID441	16.60	ID470	69.60	ID484	37.50	ID513	154.50	ID542	52.40	ID571	164.40			ID606	89.30	ID635	269.30	ID665	209.10
ID418	17.10	ID442	17.60			ID485															

Parker O-RING KITS

O-Ring Kit nr. 4 (370404N0674)

30 items imperial sizes = 382 O-ring (N 674-70)

Nr	Parker Size	Dimensions	Quantity
006	2-006	2.90 x 1.78	20
007	2-007	3.68 x 1.78	20
008	2-008	4.47 x 1.78	20
009	2-009	5.28 x 1.78	20
010	2-010	6.07 x 1.78	20
011	2-011	7.65 x 1.78	20
012	2-012	9.25 x 1.78	20
110	2-110	9.19 x 2.62	13
111	2-111	10.77 x 2.62	13
112	2-112	12.37 x 2.62	13
113	2-113	13.94 x 2.62	13
114	2-114	15.54 x 2.62	13
115	2-115	17.12 x 2.62	13
116	2-116	18.76 x 2.62	13
210	2-210	18.64 x 3.53	10
211	2-211	20.22 x 3.53	10
212	2-212	21.82 x 3.53	10
213	2-213	23.39 x 3.53	10
214	2-214	24.99 x 3.53	10
215	2-215	26.57 x 3.53	10
216	2-216	28.17 x 3.53	10
217	2-217	29.74 x 3.53	10
218	2-218	31.34 x 3.53	10
219	2-219	32.92 x 3.53	10
220	2-220	34.52 x 3.53	10
221	2-221	36.09 x 3.53	10
222	2-222	37.69 x 3.53	10
325	2-325	37.47 x 5.33	7
326	2-326	40.64 x 5.33	7
327	2-327	43.82 x 5.33	7

O-Ring Kit nr. 5 (370405N0674)

30 items JIS sizes = 393 O-ring (N 674-70)

Nr	Parker Size	Dimensions	Quantity
006	P3	2.80 x 1.90	20
007	P4	3.80 x 1.90	20
008	P5	4.80 x 1.90	18
009	P6	5.80 x 1.90	18
010	P7	6.80 x 1.90	18
011	P8	7.80 x 1.90	18
012	P9	8.80 x 1.90	18
110	P10A	9.80 x 2.40	14
111	P11	10.80 x 2.40	14
112	P12	11.80 x 2.40	14
113	P14	13.80 x 2.40	14
114	P16	15.80 x 2.40	14
115	P18	17.80 x 2.40	14
116	P20	19.80 x 2.40	14
210	G20	20.00 x 3.00	11
211	G22	22.00 x 3.00	12
212	P22.4	22.10 x 3.50	10
213	G25	24.40 x 3.10	12
214	P25	24.70 x 3.50	10
215	P26	25.70 x 3.50	10
216	G30	29.40 x 3.10	10
217	P30	29.70 x 3.50	10
218	P32	31.70 x 3.50	10
219	P34	33.70 x 3.50	10
220	G35	34.40 x 3.10	10
221	P36	35.70 x 3.50	10
222	G40	39.40 x 3.10	10
325	P40	39.70 x 3.50	10
326	G45	44.70 x 3.10	10
327	P48	47.70 x 3.50	10

O-Ring Kit nr. 6 (370406N0674)

32 items imperial sizes = 407 O-ring (N 674-70)

Nr	Parker Size	Dimensions	Quantity
006	2-006	2.90 x 1.78	20
008	2-008	4.47 x 1.78	20
010	2-010	6.07 x 1.78	20
011	2-011	7.65 x 1.78	20
012	2-012	9.25 x 1.78	20
014	2-014	12.42 x 1.78	20
110	2-110	9.19 x 2.62	13
111	2-111	10.77 x 2.62	13
112	2-112	12.37 x 2.62	13
113	2-113	13.94 x 2.62	13
114	2-114	15.54 x 2.62	13
115	2-115	17.12 x 2.62	13
116	2-116	18.76 x 2.62	13
117	2-117	20.29 x 2.62	13
118	2-118	21.89 x 2.62	13
210	2-210	18.64 x 3.53	10
211	2-211	20.22 x 3.53	10
212	2-212	21.82 x 3.53	10
213	2-213	23.39 x 3.53	10
214	2-214	24.99 x 3.53	10
215	2-215	26.57 x 3.53	10
216	2-216	28.17 x 3.53	10
217	2-217	29.74 x 3.53	10
218	2-218	31.34 x 3.53	10
219	2-219	32.92 x 3.53	10
220	2-220	34.52 x 3.53	10
221	2-221	36.09 x 3.53	10
222	2-222	37.69 x 3.53	10
223	2-223	40.87 x 3.53	10
224	2-224	44.04 x 3.53	10
225	2-225	47.22 x 3.53	10
226	2-226	50.39 x 3.53	10

O-Ring Kit nr. 7 (370407N0674)

32 items metric sizes = 408 O-ring (N 674-70)

Nr	Dimensions	Quantity
006	3.00 x 2.00	20
008	5.00 x 2.00	20
010	6.00 x 2.00	18
011	8.00 x 2.00	18
012	10.00 x 2.00	18
014	13.00 x 2.00	18
110	10.00 x 2.50	14
111	12.00 x 2.50	14
112	14.00 x 2.50	14
113	15.00 x 2.50	14
114	16.00 x 2.50	14
115	18.00 x 2.50	14
116	20.00 x 2.50	14
117	21.00 x 2.50	14
118	22.00 x 2.50	14
210	18.00 x 3.50	10
211	20.00 x 3.50	10
212	22.00 x 3.50	10
213	23.00 x 3.50	10
214	25.00 x 3.50	10
215	27.00 x 3.50	10
216	28.00 x 3.50	10
217	30.00 x 3.50	10
218	31.00 x 3.50	10
219	32.00 x 3.50	10
220	34.00 x 3.50	10
221	36.00 x 3.50	10
222	38.00 x 3.50	10
223	41.00 x 3.50	10
224	44.00 x 3.50	10
225	46.00 x 3.50	10
226	50.00 x 3.50	10

O-Ring Kit nr. 8 (370408N0552)

20 items imperial sizes = 212 O-ring (N 552-90)

Nr	Tube Size	Dimensions	Quantity
901	3/32	.185 x .056	10
902	1/8	.239 x .064	10
903	3/16	.301 x .064	10
904	1/4	.351 x .072	10
905	5/16	.414 x .072	12
906	3/8	.468 x .078	12
907	7/16	.530 x .082	12
908	1/2	.644 x .087	12
909	9/16	.706 x .097	12
910	5/8	.755 x .097	12
911	11/16	.863 x .116	10
912	3/4	.924 x .116	10
913	13/16	.986 x .116	10
914	7/8	1.047 x .116	10
916	1	1.171 x .116	10
918	1 1/8	1.355 x .116	10
920	1 1/4	1.475 x .118	10
924	1 1/2	1.720 x .118	10
928	1 3/4	2.090 x .118	10
932	2	2.337 x .118	10



Profesional Imperial Sizes O-Ring Kits

37 items imperial sizes = 485 O-ring (NBR, EPDM, Viton, Silicon)

Nr	Parker Size	Dimensions	Quantity
1	2-006	2.90 x 1.78	32
2	2-007	3.68 x 1.78	32
3	2-008	4.47 x 1.78	32
4	2-009	5.28 x 1.78	32
5	2-010	6.07 x 1.78	32
6	2-011	7.65 x 1.78	32
7	2-012	9.25 x 1.78	32
8	2-110	9.19 x 2.62	12
9	2-111	10.77 x 2.62	12
10	2-112	12.37 x 2.62	12
11	2-113	13.94 x 2.62	12
12	2-114	15.54 x 2.62	12
13	2-115	17.12 x 2.62	12
14	2-116	18.72 x 2.62	12
15	2-210	18.64 x 3.53	9
16	2-211	20.22 x 3.53	9
17	2-212	21.82 x 3.53	9
18	2-213	23.39 x 3.53	9
19	2-214	24.99 x 3.53	9

Nr	Parker Size	Dimensions	Quantity
20	2-215	26.57 x 3.53	9
21	2-216	28.17 x 3.53	9
22	2-217	29.74 x 3.53	9
23	2-218	31.34 x 3.53	9
24	2-219	32.92 x 3.53	9
25	2-220	34.52 x 3.53	9
26	2-221	36.09 x 3.53	9
27	2-222	37.69 x 3.53	9
28	2-325	37.47 x 5.33	6
29	2-326	40.64 x 5.33	6
30	2-327	43.82 x 5.33	6
31	2-328	46.99 x 5.33	6
32	2-329	50.17 x 5.33	6
33	2-330	53.34 x 5.33	6
34	2-331	56.52 x 5.33	6
35	2-332	56.69 x 5.33	6
36	2-333	62.87 x 5.33	6
37	2-334	66.04 x 5.33	6



O-RING COMPOUNDS

PARKER O-RING COMPOUNDS



Elastomer base	DIN ISO 1629	Parker	Compound	Hardness Shore A $\pm 5^\circ$	Range Temperatur $^\circ\text{C}$	Colour	General Recommendation
Nitrile-Butadiene	NBR	N	N 674-70	70	-34 to 121	black	For general purpose, MIL-G-21569 Cl I, UL Listed. Generally suited for hydraulic and pneumatic systems. Compatible with hydraulic oil, water/glycol (HFC Fluids) and oil in water emulsions (HFA). Animal mineral and vegetable oils, fuels, heavy oils, water to 70 $^\circ\text{C}$, air to 90 $^\circ\text{C}$, butane, propane, methane and ethane.
	NBR	N	N 1470-70	70	-40 to 107	black	For general purpose.
	NBR	N	N 304-75	75	-54 to 107/121	black	For AMS -P-25732
	NBR	N	N 552-90	90	-34 to 121	black	For general purpose. Compatibility as N 674-70, resistant to high pressure extrusion. Usually for static applications.
Fluorocarbon	FPM	V	V 494-70	70	-26 to 204	black	Acid resistant
	FPM	V	V 747-75	75	-26 to 204	black	For high temperature, hot oil, aromatic solvents, many chemicals, fire resistant fluid with phosphate-ester and chlorinated hydrocarbon base. For AMS-R-83248, MIL R-83248C TY I Cl I, AMS 7276, UL Listed.
	FPM	V	V 884-75	75	-26 to 204	brown	Col-O-Ring compound, similar to V 747-75. For general purpose, UL Listed.
	FPM	V	V 1475-75	75	-26 to 204	black	For general purpose
	FPM	V	V 1476-75	75	-26 to 204	brown	For general purpose
	FPM	V	V 709-90	90	-26 to 204	black	Compatibility as per V 747-75 suitable for high pressure with high extrusion resistance. AMS-R-83248, MIL R-83248C TY I Cl II, AMS 7259.
Ethylene-Propylene	EPDM	E	E 515-80	80	-57 to 121	black	Recommended for MIL-P-82744
	EPDM	E	E 540-80	80	-57 to 121	black	Recommended for general purpose, steam (to 200 $^\circ\text{C}$), hot water, air (to 150 $^\circ\text{C}$), dilute acids, fire resistant hydraulic fluids with phosphate-ester base. Brake fluids with non-mineral oil base. Important! Not compatible with mineral oil.
Silicone	MVQ	S	S 604-70	70	-54 to 232	rust brown	Col-O-Ring-compound. High temperatures (to 210 $^\circ\text{C}$), oxygen, water (to 100 $^\circ\text{C}$). Only suitable as static seal. Recommended for ZZ-R-765, CL 2a, 2b, Gr 70 AMS 3304, AMS 3357, MIL-G-21569.
Polychloroprene	CR	C	C557-70	70	-37 to 121	black	Good aging and salt water resistance often used in refrigerant, (e.g. Freon 12). Recommended for drive belt
	CR	C	C944-70	70	-37 to 121	red	For General Purpose. Col-O-Ring-compound, similar properties to C557-70.
Tetrafluoroethylene - Propylene (AFLAS)		V	V3819-75	75	-26 to 204	black	Chemically resistant, low compression set
		V	V 1041-85	85	-9 to 232	black	Explosive decompression resistant
High Performance Fluoroelastomers (Hifluor)		V	V8534-90	90	-26 to 204	black	Chemically resistant, extrusion resistant
Perfluoroelastomer (Parafluor)]		V	V8545-75	75	-15 to 300	black	AMS 7257, high temperature, FDA
		V	V8588-90	90	-15 to 280	black	Chemically resistant, extrusion & explosive decompression resistant
Perfluoroelastomer (Parafluor Ultra)		FF	FF200-75	75	-15 to 320	black	Low compression set, AMS7257
		FF	FF350-75	75	-15 to 316	white	Plasma, high purity
		FF	FF500-75	75	-15 to 274	black	Broad chemical resistant
		FF	FF202-90	90	-15 to 320	black	Extrusion resistant, low compression set



O-RING COMPOUNDS

Elastomer base	DIN ISO 1629	Compound	Hardness Shore A $\pm 5^\circ$	Range Temperature $^\circ\text{C}$	Colour	General Recommendation
Nitrile-Butadiene	NBR	dNB1-70	70	-30 s/d 100	black	Good mechanical properties, resistance to mineral oil based lubricants and greases, hydraulic oils H, H-L, H-LP, non in-flammable pressure liquids HFA, HFB, HFC, aliphatic hydro-carbons, silicon oil and greases and water to $\pm 80^\circ\text{C}$. Not resistance to aromatic and chlorinated hydrocarbons, fuel with high aromatic content, polar solvent, glycol based brake fluid and non inflammable hydraulic fluid HFD. A low resistance to ozone, weathering and ageing, but in most application this has no negative effect.
		dNB1-75	75	-25 s/d 100		
		dNB1-80	80			
		dNB1-90	90			
Fluorocarbon	FPM	dFC1-75	75	-15 s/d 200	black	Very high resistance to temperatures and chemical, excellent resistance to ageing and ozone, very low gas permeability (excellent for vacuum application), mineral oils and greases, aliphatic, aromatic and chlorinated hydrocarbon, fuels, non inflammable hydraulic pressure fluids HFD and many organic solvents and chemicals. Not resistance to hot water, steam, polar solvent, glycol based brake fluids and low molecular organic acids.
		dFC1-80	80			
Ethylene-Propylene	EPDM	dEP1-70	70	-45 s/d 130	black	Good resistance to hot water, steam, ageing, detergent, caustic potash solutions, sodium hydroxide solutions, silicone oil and greases, many polar solvents, many diluted acids and chemicals. Special qualities are recommended for glycol-based brake fluids. Unsuitable for use with all mineral oil products (lubricant, fuels).
		dEP1-80	80			
Silicone	MVQ	dSC1-70	70	-55 s/d 200	red brown	Excellent resistance to ozone, weathering and ageing. Resistance to water (up to 100 $^\circ\text{C}$), aliphatic engine and transmission oils, animal and plant oils and fats. Not resistance to fuels, aromatic mineral oils, steam (short term up to 120 $^\circ\text{C}$ possible), silicone oils and greases, Acids and alkalis.



O-RING MATERIAL DATA REPORTS

N674-70 & N552-90

Title : Compatibility Study in Mobil DTE-24 Petroleum Based Hydraulic Fluid.
 Procedure : Tested N674-70, N552-90 in accordance with ASTM D471 for 168 hours at 158
 Conclusion : N674-70 and N552-90 are suitable for use in Mobil DTE-24 hydraulic fluid.

ORIGINAL PROPERTIES :	N674-70	N552-90	MOBILE DTE-24 HYDRAULIC FLUID		
			168 HOURS @ 158 °F	N674-70	N552-90
Hardness, Shore A, pts	70	89	Hardness, Shore A, pts	-0-	-0-
Tensile Strength, psi	2448	2067	Tensile Strength, psi	+70	+3.5
Elongation, %	294	141	Elongation, %	-11.2	-0-
50% Modulus, psi	300	912	50% Modulus, psi	-4.3	+6.4
100% Modulus, psi	649	-	100% Modulus, psi	+5.4	-
			Volume Change, %	+1.4	+0.4

V747-75

Title : Comparison of Parker Compound V747-75 the Requirements of ASTM D2000 specification MHK810 A1-10 B38, EF31, E078, Z1, (75 ± 5 Durometer)
 Purpose : To provide documentation to above specification as well provide a general profile of material.
 Conclusion : V747-75 exhibit very good physical and chemical attributes as is demonstrated by the requirements of the ASTM D2000 specification.

ORIGINAL PHYSICALS	ASTM D2000 MHK810 A1-10 B38 EF31 E078 Z1 (75 (+/- 5) DURO)		V747-75 PLATENS	ASTM D2000 MHK810 A1-10 B38 EF31 E078 Z1 (75 (+/- 5) DURO)		V747-75 PLATENS
	EF31 FUEL C IMMERSION 70 HOURS @ 23°C (73 °F)			E078 ASTM SERVICE FLUID #101, ANDEROL 774, 70 HOURS @ 200°C (392°F)		
Hardness (Z1)	75 ± 5	75	Hardness Change, %	± 5	0	
Tensile Strength, Mpa (psi), min.	10 (1450)	13.9 (2025)	Tensile Change, %	-25	-8	
Elongation, % min	150	185	Elongation, %	-20	-9	
Specific Gravity	As Reported	1.83 (± .02)	Volume Change, %	0 to +10	+3.5	
A1-10 HEAT AGE 70 HOURS @ 250°C (482 °F)			E078 ASTM SERVICE FLUID #101, ANDEROL 774, 70 HOURS @ 200°C (392°F)			
Hardness Change, %	+10	0	Hardness Change, %	-15 to +5	-8	
Tensile Change, %	-25	-2	Tensile Change, %	-40	-15	
Elongation, %	-25	+15	Elongation, %	-20	+20	
ASTM #3 OIL IMMERSION 70 HOURS @ 150 °C (302°F)			Volume Change, %	0 to +15	+13.1	
Volume Change, %	+10	+2.6	B38 COMPRESSION SET, PLIED 70 HOURS @ 200°C (392°F)			
COMPRESSION SET, PLIED 22 HOURS @ 175°C (347°F)			% of Original Deflection	50	12.6	
% of Original Deflection	35	11.9				

V858-95

Title : Evaluation of Parker Compound V858-95 in Air and ASTM#3 Oil.
 Purpose : To obtain a general physical property profile of Parker fluorocarbon compound V858-95.
 Conclusion : Parker compound V858-95 exhibits very good retention of physical properties under the conditions tested.

ORIGINAL PHYSICAL PROPERTIES	V858-95 Slab		OIL AGE, 70 HOURS @ 347 °F ± 5 °F IN AMS-3021	V858-95 Slab	
	Hardness, Shore A, pts	94		94	Hardness change, pts
Tensile Strength, psi	2290	2290	Tensile Strength, % max	30	
Elongation, %	78	78	Volume change, %	20	
100% Modulus, psi	-	-	Compression set, % of original	+1 to +20	
OVEN AIR AGING 70 HOURS @ 482°F (250 °C)			Deflection, max.		
Hardness, Type A, (Chg.,pts.)	90 (-4)	90 (-4)	Standard reading		
Weight loss, % max	10	10	Type 1		
AIR AGE, 166 HOURS @ 347°F ± 5 °F COMPRESSION SCT. % OF ORIGINAL			Under 0.100 inch	30	
Deflection, max.			Over 0.100 inch	15	
Standard reading					
Type 1					
Under 0.100 inch	45	45			
Over 0.100 inch	30	30			



COMPOUND SPECIFICATIONS

AMS & NAS RUBBER SPECIFICATIONS

Rubber Specs	Parker Compound	Durometer	Description Title
AMS3304	S1224-70, S604-70	65 - 75	Silicone, general Purpose
AMS3357	S1224-70, S604-70	65 - 75	Silicone rubber, lubricating oil, compression set resistant
AMS7257	V8545-75, FF200-75	70 - 80	Sealing rings, perfluorocarbon, high temperature resistant
AMST259	V709-90	85 -95	High temperature, fluid resistant, very low compression set FKM
AMST276	V1164-75, V1226-75, V747-75	70 - 80	High temperature, fluid resistant, very low compression set FKM
AMS-P-25732	N304-75	70 - 80	Packing, preformed, petroleum hydraulic fluid resistant, limited performance
AMS-R-83248	V116475, V1226-75, V747-75, V709-90	70 - 95	Rubber, fluorocarbon elastomer, high temperature fluid and compression set resistant

AMS : Aerospace Material Specification issued by the Society of Automotive Engineers, Inc.

NAS : National Aerospace Standard issued by Aerospace Industries Association of America, Inc.

UNDERWRITERS LABORATORIES APPROVED SERVICES

	EA454-50	N299-50	N674-70	N757-70	N1591-75	N1565-75	V747-75	V884-75
Fire Extinguishing Agents			√			√		
Gasoline					√	√	√	√
Gasoline/Alcohol Blends					√	√		√
Naptha or Kerosene			√		√	√	√	√
MPS Gas						√		
MFG or Natural Gas			√		√	√	√	
Diesel Fuel, Fuel Oil, Lubricating Oil			√		√	√	√	√
Heated Fuel Oil			√				√	
Anhydrous Ammonia			√					
LP-Gas			√		√	√	√	
Laundry Detergent	√							
Dishwashing Detergent	√							
Suitable for use in UL 1081		√						
Suitable for use in UL262 applications				√				
Suitable for UL25 gasket applications					√			
Dry Chemical, Carbon Dioxide, Water			√					

MILITARY RUBBER SPECIFICATIONS

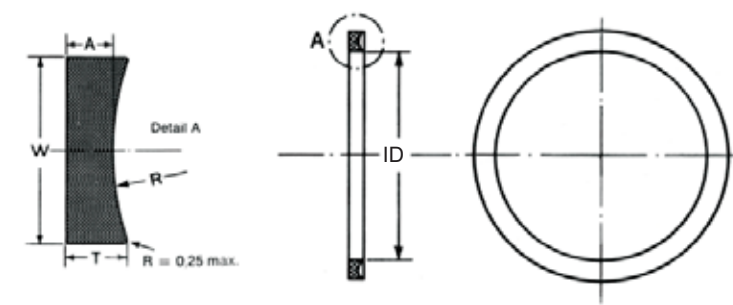
Rubber Specs	Parker Compound			Description
ZZ-R-765E Class 1a, 1b, 2a, 2b 1a, 1b 2a, 2b 2a, 2b	S889-50 S383-70 S614-80 S1224-70 S604-70	Grade 50 70 80 70	Temperature Range 103 to 437 °F (-75 to 225 °C) 103 to 437 °F (-75 to 225 °C) 80 to 437 °F (-62 to 225 °C) 80 to 437 °F (-62 to 225 °C)	Rubber, Silicone Low and high temperature resistant, Low compression set Low temperature resistant, Low compression set High temperature resistant, Low compression set High temperature resistant, Low compression set
MIL-G-21569B Class I Class II	N674-70 S604-70	70	Room temperature to 194 °F (RT to 90 °C)	Gaskets, Cylinder liner seal, synthetic
MIL-P-25732C	N304-75	75	-65 to 275 °F (-54 to 135 °C)*	Packing, preformed hydraulic fluid resistant (MIL-H-5606) Petroleum base hydraulic fluid (Military O-ring series MS28775)
MIL-P-82744	E515-80	80	-65 to 275 °F (-54 to 135 °C)	Packing, preformed, otto fuel compatible
MIL-R-83248C, Type I Class I Class II	V747-75 V1164-75 V1226-75 V709-90	75 75 75 90	-15 to 400 °F (-5 to 105 °C)	Rubber, fluorocarbon elastomer, high temperature fluid and compression set resistant

Note : These temperatures are limits for particular tests required by the specifications, but they do not necessarily represent operating temperature limits.



PARBAK® BACK-UP RING

PARBAK® SIZES



W = 1.35 mm		W = 2.18 mm				W = 3.00 mm				W = 4.65 mm				W = 5.99 mm			
Part No.	ID (mm)	Part No.	ID (mm)	Part No.	ID (mm)	Part No.	ID (mm)	Part No.	ID (mm)	Part No.	ID (mm)	Part No.	ID (mm)	Part No.	ID (mm)	Part No.	ID (mm)
8-004	2.44	8-102	1.96	8-149	71.91	8-201	5.13	8-248	121.11	8-309	11.43	8-356	137.24	8-425	115.60	8-453	305.41
8-005	3.23	8-103	2.77	8-150	73.48	8-202	6.73	8-249	124.28	8-310	13.03	8-357	140.41	8-426	118.77	8-454	318.11
8-006	3.56	8-104	3.56	8-151	76.66	8-203	8.30	8-250	127.46	8-311	14.60	8-358	143.59	8-427	121.95	8-455	330.81
8-007	4.34	8-105	4.34	8-152	83.01	8-204	9.90	8-251	130.63	8-312	16.20	8-359	146.76	8-428	125.20	8-456	343.51
8-008	5.13	8-106	5.13	8-153	89.36	8-205	11.56	8-252	133.81	8-313	17.78	8-360	149.94	8-429	128.30	8-457	356.21
8-009	5.94	8-107	5.94	8-154	95.71	8-206	13.16	8-253	136.98	8-314	19.38	8-361	153.11	8-430	131.47	8-458	368.91
8-010	6.73	8-108	6.73	8-155	102.06	8-207	14.73	8-254	140.16	8-315	20.96	8-362	159.46	8-431	134.65	8-459	381.61
8-011	8.31	8-109	8.31	8-156	108.41	8-208	16.33	8-255	143.33	8-316	22.56	8-363	165.81	8-432	137.82	8-460	394.31
8-012	9.91	8-110	9.91	8-157	114.76	8-209	17.90	8-256	146.51	8-317	24.13	8-364	172.16	8-433	141.00	8-461	406.50
8-013	11.56	8-111	11.48	8-158	121.11	8-210	19.46	8-257	149.68	8-318	25.73	8-365	178.51	8-434	144.17	8-462	419.20
8-014	13.16	8-112	13.08	8-159	127.46	8-211	21.03	8-258	152.86	8-319	27.31	8-366	184.86	8-435	147.35	8-463	431.90
8-015	14.73	8-113	14.66	8-160	133.81	8-212	22.63	8-259	159.21	8-320	28.91	8-367	191.21	8-436	150.52	8-464	444.60
8-016	16.33	8-114	16.26	8-161	140.16	8-213	24.21	8-260	165.56	8-321	30.42	8-368	197.56	8-437	153.70	8-465	457.30
8-017	17.91	8-115	17.83	8-162	146.51	8-214	25.81	8-261	171.91	8-322	32.08	8-369	203.91	8-438	156.96	8-466	470.00
8-018	19.51	8-116	19.43	8-163	152.86	8-215	27.38	8-262	178.26	8-323	33.43	8-370	210.26	8-439	165.71	8-467	482.70
8-019	21.08	8-117	21.11	8-164	159.21	8-216	28.98	8-263	184.61	8-324	35.26	8-371	216.61	8-440	172.06	8-468	495.40
8-020	22.68	8-118	22.68	8-165	165.56	8-217	30.56	8-264	190.96	8-325	38.43	8-372	222.96	8-441	178.41	8-469	508.10
8-021	24.26	8-119	24.28	8-166	171.91	8-218	32.16	8-265	197.31	8-326	41.61	8-373	229.31	8-442	184.76	8-470	533.50
8-022	25.86	8-120	25.86	8-167	178.26	8-219	33.88	8-266	203.66	8-327	44.78	8-374	235.66	8-443	191.11	8-471	558.90
8-023	27.43	8-121	27.46	8-168	184.61	8-220	35.48	8-267	210.01	8-328	47.96	8-375	242.01	8-444	197.46	8-472	584.30
8-024	29.03	8-122	29.03	8-169	190.96	8-221	37.06	8-268	216.36	8-329	51.13	8-376	248.36	8-445	203.81	8-473	609.70
8-025	30.61	8-123	30.63	8-170	197.31	8-222	38.66	8-269	222.71	8-330	54.31	8-377	254.71	8-446	216.51	8-474	635.10
8-026	32.21	8-124	32.21	8-171	203.66	8-223	41.83	8-270	229.06	8-331	57.61	8-378	267.41	8-447	229.21	8-475	660.50
8-027	33.78	8-125	33.81	8-172	210.01	8-224	45.01	8-271	235.41	8-332	60.78	8-379	280.11	8-448	241.91	Other Dimensions mm	
8-028	35.38	8-126	35.38	8-173	216.36	8-225	48.18	8-272	241.76	8-333	63.96	8-380	292.81	8-449	254.61	Part No. R (mm)	
8-029	38.56	8-127	36.98	8-174	222.71	8-226	51.36	8-273	248.11	8-334	67.13	8-381	305.51	8-450	267.31	004-050	2.21
8-030	41.73	8-128	38.56	8-175	229.06	8-227	54.53	8-274	254.46	8-335	70.31	8-382	330.91	8-451	280.01	102-178	3.28
8-031	44.91	8-129	40.16	8-176	235.41	8-228	57.71	8-275	267.16	8-336	73.48	8-383	356.31	8-452	292.71	201-284	4.42
8-032	48.08	8-130	41.73	8-177	241.76	8-229	60.88	8-276	279.86	8-337	76.66	8-384	381.71	309-395		6.65	
8-033	51.26	8-131	43.33	8-178	248.11	8-230	64.06	8-277	292.56	8-338	79.83	8-385	406.60	425-475		8.74	
8-034	54.43	8-132	44.91			8-231	66.83	8-278	305.26	8-339	83.13	8-386	432.00	Part No. T (mm)			
8-035	57.61	8-133	46.51			8-232	70.00	8-279	330.66	8-340	86.31	8-387	457.40	004-050	1.24		
8-036	60.78	8-134	48.08			8-233	73.18	8-280	356.05	8-341	89.48	8-388	482.75	102-178	1.35		
8-037	63.96	8-135	49.68			8-234	76.35	8-281	381.46	8-342	92.66	8-389	508.15	201-284	1.27		
8-038	67.13	8-136	51.26			8-235	79.53	8-282	406.12	8-343	95.83	8-390	533.55	309-395	1.93		
8-039	70.31	8-137	52.86			8-236	82.70	8-283	431.52	8-344	99.01	8-391	558.95	425-475	2.97		
8-040	73.48	8-138	54.43			8-237	85.88	8-284	456.92	8-345	102.31	8-392	584.02	Part No. A (mm)			
8-041	76.66	8-139	56.03			8-238	89.05			8-346	105.49	8-393	609.42	004-050	1.14		
8-042	83.01	8-140	57.61			8-239	92.23			8-347	108.66	8-394	634.82	102-178	1.14		
8-043	89.36	8-141	59.21			8-240	95.40			8-348	111.84	8-395	660.22	201-284	1.02		
8-044	95.71	8-142	60.78			8-241	98.58			8-349	115.01			309-395	1.52		
8-045	102.06	8-143	62.38			8-242	101.75			8-350	118.19			425-475	2.44		
8-046	108.41	8-144	63.96			8-243	104.93			8-351	121.36						
8-047	114.76	8-145	65.56			8-244	108.10			8-352	124.54						
8-048	121.11	8-146	67.13			8-245	111.28			8-353	127.71						
8-049	127.46	8-147	68.73			8-246	114.45			8-354	130.89						
8-050	133.81	8-148	70.31			8-247	117.63			8-355	134.09						

- * note :
 1. On ordering both size and compound should be stated e.g. 8-130, N300-90.
 2. Parbak size numbers correspond to O-rings in the 2-xxx series e.g. 8-211, N300-90 is fitted with the O-ring 2-211, N674-70.

PARBAK® COMPOUNDS

Elastomer base	DIN ISO 1629	Parker	Compound	Hardness Shore A ± 5 °	Range Temperatur °C	Colour	General Recommendation
Nitrile-Butadiene	NBR	N	N300-90	90	-40 to 82	black	For general purpose & recommended for petroleum oils. Correct hardness, long life and compatibility with a wide range of media nearly all hydraulic fluids but not including fire resistant fluids. It's also compatible with air and water.
		N	N1444-90	90	-34 to 121	black	For use in most applications.
Fluorocarbon	FPM	V	V709-90	90	-26 to 204	black	Suitable for more aggressive, higher temperature applications.
Polytetrafluoroethylene (PTFE)		PTFE			-73 to over 400	white	Inert to oils and solvents. Acids and inorganic salt have very little effect on TFE resin. It can also impair seal lubrication by plating rubbing surface with resin to which oil will not adhere.

ROUND CORD SIZES & TOLERANCES

NBR, EPDM

Size (mm)	Tolerance (± mm)
1.5 - 2	0.20
2.1 - 3	0.25
3.1 - 4	0.35
4.1 - 6	0.40
6.1 - 10	0.55
10.1 - 16	0.65
16.1 - 24	0.85
24.1 - 30	1.00

FPM

Size (mm)	Tolerance (± mm)
1.5 - 2	0.20
2.6 - 3	0.25
3.1 - 6	0.30
6.1 - 10	0.40
10.1 - 16	0.50
16.1 - 25	0.70
25.1 - 30	0.90

MVQ

Size (mm)	Tolerance (± mm)
1.5 - 2	0.20
2.1 - 3	0.25
3.1 - 4	0.35
4.1 - 6	0.40
6.1 - 10	0.55
10.1 - 16	0.65
16.1 - 20	0.85

ROUND CORD COMPOUNDS


Elastomer base	DIN ISO 1629	Compound	Hardness Shore A ± 5°	Colour
Nitrile-Butadiene	NBR	dNB170	70	black
Fluorocarbon	FPM	dFC1-70	70	black
	FPM	dFC1-75	75	black
Silicon	MVQ	dSC1-70	70	red brown
Polychloroprene	CR	dCR1-70	70	black




ACCESSORIES



O-RING SIZING GAUGE
An exclusive device for checking any sample O-ring up through 8 inches inside diameter to determine the nearest standard Parker 2-size.



O-LUBE
A non-toxic barium base petroleum grease formulated to facilitate installation and extend service life of synthetic rubber seals with a -30 °C to +120 °C temperature range



SUPER O-LUBE
A non-toxic silicone base lubricant formulated to facilitate installation and extend service life of virtually any rubber polymer with a -55 °C to +200 °C temperature range



O-RING INSTALLATION & EXTRACTION TOOLS
Two unique double ended brass tools that help to install or remove O-rings from hydraulic or pneumatic cylinders or other equipment




NATIONAL O-RING GAUGE
An exclusive devices for identifying size dash number of standard AS 568A series O-Rings.



O-RING GLUE
A Cyanoacrylate adhesive for rubber & plastic (1 OZ).



O-RID (ELASTOMER TESTER)
O-ring identifier to verify an O-rings elastomer known O-Rings



CIRCOMETER
A stainless steel to identifying outside diameter of O-Rings. (C150, CJU 950, CJU 38", CJU 2200, CJU 87").



O-RING PAINT MARKER
Paint marker (blue, yellow and green) for writes on any surface vividly medium point, oil base, opaque ink.

Head Office:

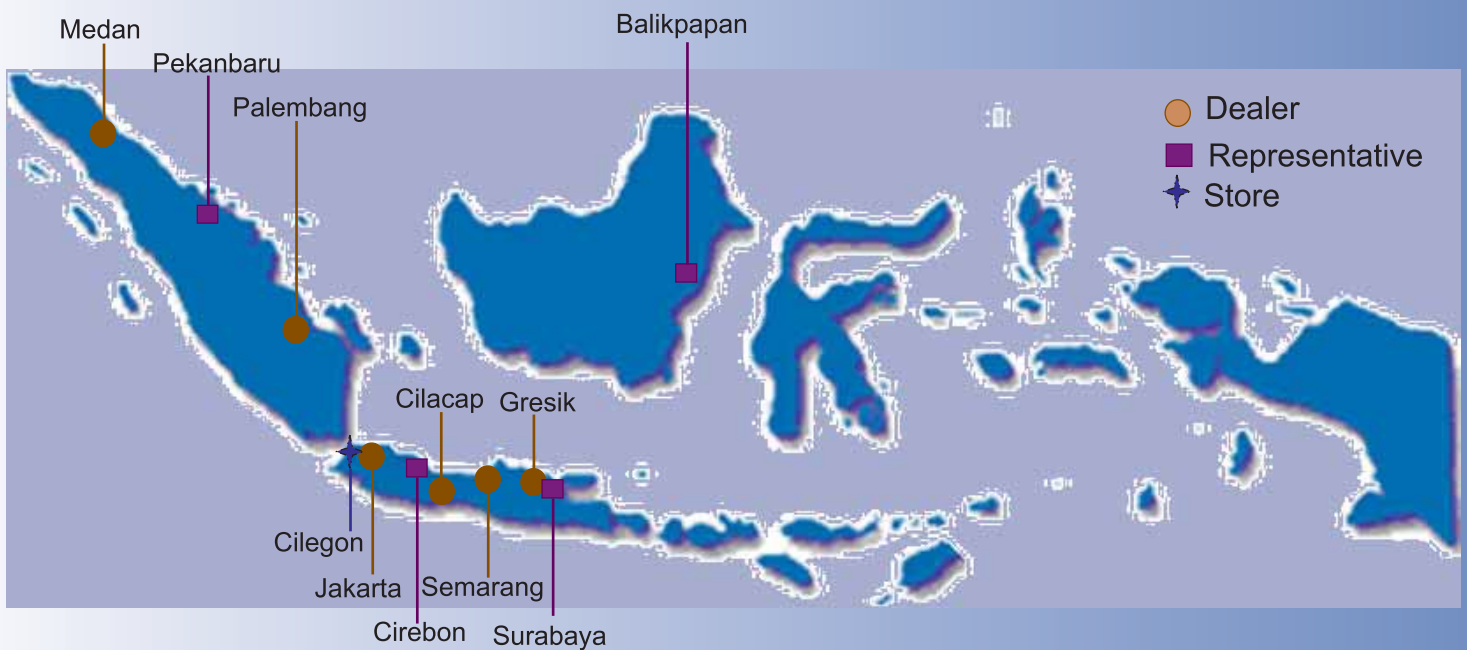
Vila Delima Blok Rukan No. 5
Jl. Karang Tengah Raya No. 9
Lebak Bulus - Jakarta Selatan 12440

Phone: 021-7668416

Fax: 021-75900267

Website: www.idesejati.co.id

Email: sales@idesejati.co.id



Our Store, Representative/Dealer Office:

